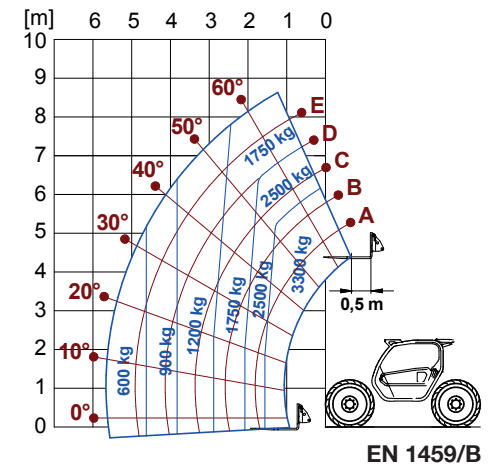


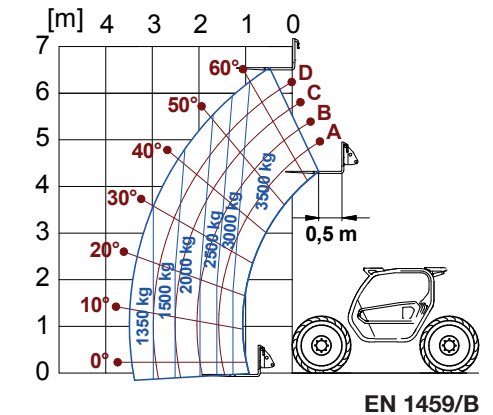


- ✓ The widest cab in the category (1010 mm)
- ✓ Level II ROPS and FOPS cab compliant
- ✓ "CS" Suspended cab, patented solution
- ✓ "Dual Control" reverse shuttle on joystick and steering wheel
- ✓ Automatic accelerator on the joystick (optional)
- ✓ Maximum speed 40 km/h as standard
- ✓ M CDC Light with traffic light on the steering column
- ✓ -18% consumption with EPD as standard
- ✓ Two-speed hydrostatic transmission
- ✓ Load-Sensing or Gear pump
- ✓ Towing hook up to 20 ton, hydraulic or pneumatic trailer braking systems (optional)

TF 33.9 WITH FORKS



TF 35.7 WITH FORKS



DIMENSIONS TURBOFARMER MEDIUM DUTY

Height (mm)	2250
Width (mm)	2240
Lenght (mm)	4300

MEDIUM DUTY

A new family of modular telehandlers Turbofarmer Medium Duty

Cutting-edge technology and performance



The Turbofarmer II family is now even more complete thanks to a new range of telehandlers in one of the most important sectors of the agricultural sector - 3.5 & 3.7 tonnes for heights of 9 and 7 metres - named Turbofarmer "Medium Duty". The range has two basic models - TF33.7 and TF30.9 - available in 10 different versions. With two engines - 75 HP and 122 HP - these models provide compact dimensions among the best in their category, thereby ensuring maximum safety, comfort and productivity.



TECHNICAL INFORMATION	TF 35.7 -75 G	TF 35.7 -120 G	TF 35.7 -120	TF 35.7 -120 G CS	TF 35.7 -120 CS	TF 33.9 -75 G	TF 33.9 -120 G	TF 33.9 -120	TF 33.9 -120 G CS	TF 33.9 -120 CS
Total unladen mass, with forks (kg)	6500	6500	6500	6500	6500	6700	6700	6700	6700	6700
Maximum capacity (kg)	3500	3500	3500	3500	3500	3300	3300	3300	3300	3300
Lifting height (m)	6,7	6,7	6,7	6,7	6,7	8,6	8,6	8,6	8,6	8,6
Turbo engine (brand/cylinders)	3,6/4	3,6/4	3,6/4	3,6/4	3,6/4	3,6/4	3,6/4	3,6/4	3,6/4	3,6/4
Tier 4 Interim engine power (kW/HP)	55/75	90/122	90/122	90/122	90/122	55/75	90/122	90/122	90/122	90/122
Maximum speed (km/h)	40	40	40	40	40	40	40	40	40	40
Hydraulic system	Gears	Gears	Load Sensing	Gears	Load Sensing	Gears	Gears	Load Sensing	Gears	Load Sensing
"CS" Suspended cab	-	-	-	●	●	-	-	-	●	●
Type approval as an agricultural tractor	○	○	○	○	○	○	○	○	○	○
EPD Eco Power Drive	Standard	Standard	Top	Standard	Top	Standard	Standard	Top	Standard	Top
Gearbox	2 speeds	2 speeds	2 speeds	2 speeds	2 speeds	2 speeds	2 speeds	2 speeds	2 speeds	2 speeds

● As standard. ○ On request.