



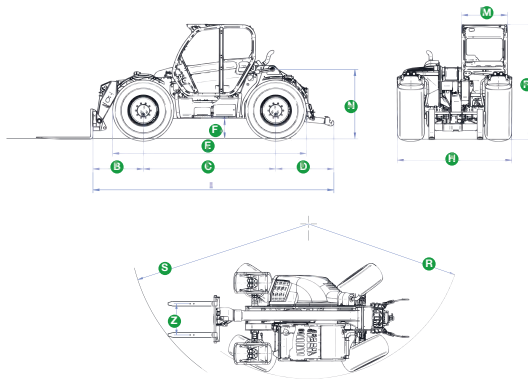
- ✓ Suspended cab, the largest in the category , complete with multi-function arm-rests
- ✓ Tilting system as standard
- ✓ BSS Boom Suspension System (Optional)
- ✓ M CVTronic transmission. from 0 to 40 km/h without torque interruption
- ✓ Hydraulic lift electronically managed, sensors on the lower links. 7 tonnes lifting capacity
- ✓ Category III 3-point linkage fitted with quick couplers
- ✓ 135 HP to the PTO, electronically controlled mechanical meshing
- ✓ Hydraulic distributors managed by electronic joysticks and rear hydraulic quick couplers
- ✓ Rear differential lock



# MULTIFARMER

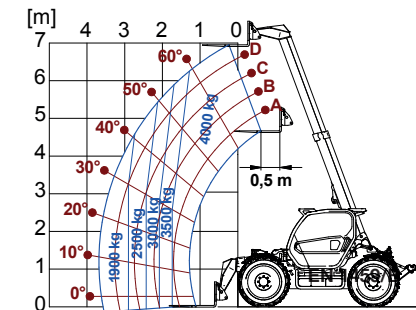
## The range of telehandlers with electronic lifting, 3-point linkage and mechanical PTO

### The Merlo telescopic tractor



The Multifarmer family and its MF 40.7 & MF 40.9 models are Heavy Duty telehandlers with booms capable of handling 4 tonnes loads at 7 or 9 metres height. They are equipped with the M CDC anti-tip over system and 156 HP EPD-controlled engines that reduce fuel consumption by 18%. The Multifarmers can be used for handling materials as well as for conventional tractor applications. In fact, MF 3-point linkage, ELC, and PTO are designed to suit any implement used by conventional tractors, having the same power, for soil preparation and for haulage operations.

P 40.7 WITH FORKS

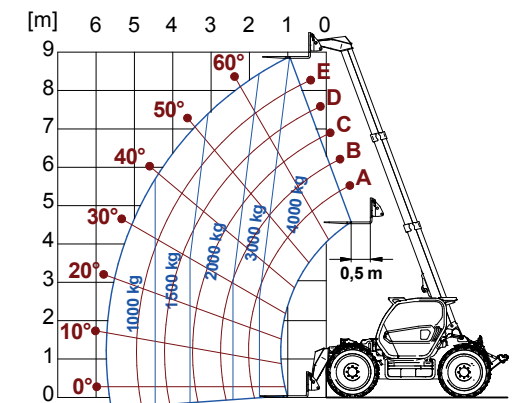


EN 1459/B

DIMENSIONS	MF 40.7 T-CS	MF 40.9 T-CS
A (mm)	5310	5490
B (mm)	1110	1290
C (mm)	2920	2920
D (mm)	1280	1280
E (mm)	4240	4240
F (mm)	450	450
H (mm)	2360	2360
M (mm)	1010	1010
N (mm)	1550	1630
P (mm)	2525 min - 2585 med	2525 min - 2585 med
R (mm)	4080	4080
S (mm)	4890	4970
Z (mm)	850	850

TECHNICAL INFORMATION	MF 40.7 T-CS	MF 40.9 T-CS
Total unladen mass, without forks (kg)	8500	8900
Maximum capacity (kg)	4000	4000
Lifting height (m)	6,8	8,8
Tier 4 Interim engine power (kW/HP)	115/156	115/156
Maximum speed (km/h)	40	40
Hydraulic Load-Sensing pump (bar-l/min)	210/146	210/152
Flow Sharing Distributor	●	●
Change of speed	CVTronic	CVTronic
"CS" Suspended cab	●	●
Tilting Chassis (angle correction)	●	●
EPD Eco Power Drive	EPD Top	EPD Top
Mechanical PTO (540/1000)	●	●
3-point linkage (kg)	7000	7000
M CDC Dynamic Load Control	●	●
Type approval as an agricultural tractor	○	○

MF 40.9 WITH FORKS



EN 1459/B

● As standard. ○ On request.