



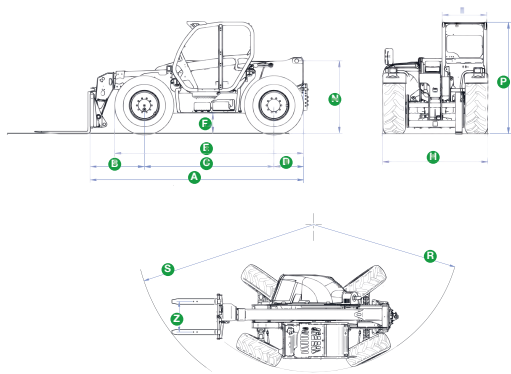
- ✓ Level II ROPS and FOPS cab compliant
- ✓ M CDC Dynamic load control as standard
- ✓ The widest cab in its category at 1010 mm
- ✓ CS suspended cab; a unique and patented solution
- ✓ -18% consumption with EPD as standard
- ✓ 122 HP engine without particulate filter or 156 HP
- ✓ "TT" version: Frame levelling and side shift
- ✓ Towing bar, towing hook up to 20 ton, hydraulic or pneumatic trailer braking systems (optional)
- ✓ Booms from 8 to 11 metres Capacities from 4.5 to 5 tons

# HEAVY DUTY

## The Heavy Duty range

### High performance for emerging agricultural sectors

The Turbofarmer family is now expanded with the Heavy Duty family of agricultural telehandlers providing high capacities to meet new market requirements, such as transporting bio-masses and biogas production. These Heavy Duty models ensure high levels of comfort and can handle 5 tonne loads at 8 metres (TF50.8) or 4.5 tonne loads at 11 metres (TF45.11). They incorporate new systems that improve safety, productivity, comfort and energy saving - the latter feature is especially appreciated thanks to major cost savings for fuel achieved by the EPD system.



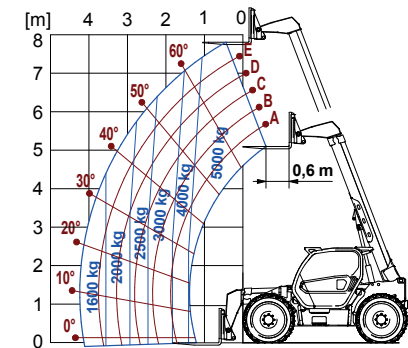
DIMENSIONS	TF 50.8	TF 45.11
A (mm)	4810	4970
B (mm)	1220	1380
C (mm)	2920	2920
D (mm)	670	670
E (mm)	4200	4240
F (mm)	450	450
H (mm)	2360	2360
M (mm)	1010	1010
N (mm)	1630	1630
P (mm)	2525 min - 2585 med	2525 min - 2585 med
R (mm)	4080	4080
S (mm)	4970	5050
Z (mm)	850	850

Tyres 500/70 R24

TECHNICAL INFORMATION	TF 50.8 T -120	TF 50.8 T CS-156 CVT	TF 45.11 T -120	TF 45.11 T CS-156 CVT
Total unladen mass, without forks (kg)	9400	9400	9700	9700
Maximum capacity (kg)	5000	5000	4500	4500
Lifting height (m)	7,8	7,8	10,6	10,6
Turbo engine (displacement/cylinders)	3.6/4	4.1/4	3.6/4	4.1/4
Tier 4 Interim engine power (kW/HP)	90/122	115/156	90/122	115/156
Maximum speed (km/h)	40	40	40	40
Hydraulic Load-Sensing pump (bar-l/min)	210/146	210/152	210/146	210/152
Flow Sharing Distributor	●	●	●	●
Gearbox	2 speeds	CVTronic	2 speeds	CVTronic
"CS" suspended cab	-	●	-	●
Tilting chassis	●	●	●	●
EPD Eco Power Drive	EPD Top	EPD Top	EPD Top	EPD Top
Mechanical PTO (540/1000)	○	○	○	○
M CDC Dynamic Load Control	●	●	●	●
Type approval as an agricultural tractor	○	○	○	○

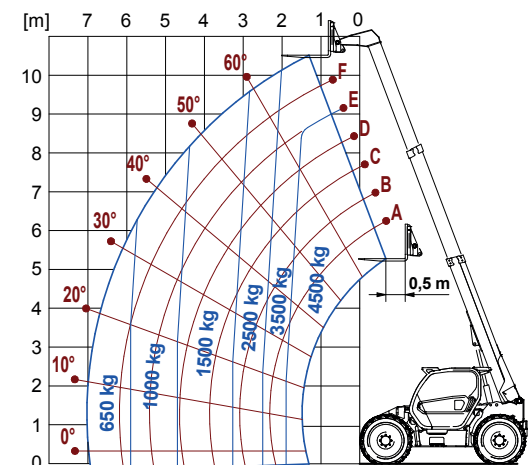
<sup>(1)</sup>L - Low Profile version available with cab lowered to 2 metres. ● As standard. ○ On request.

### TF 50.8 WITH FORKS



EN 1459/B

### TF 45.11 WITH FORKS



EN 1459/B